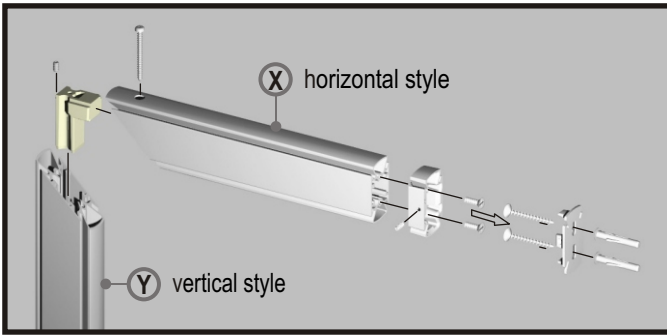




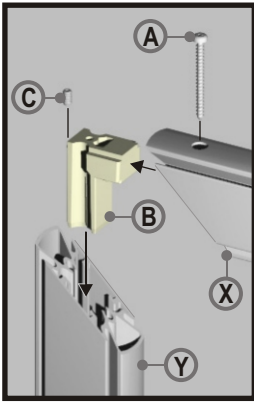
STYL

***WARDROBE
INTERIORS***

SYSTEM

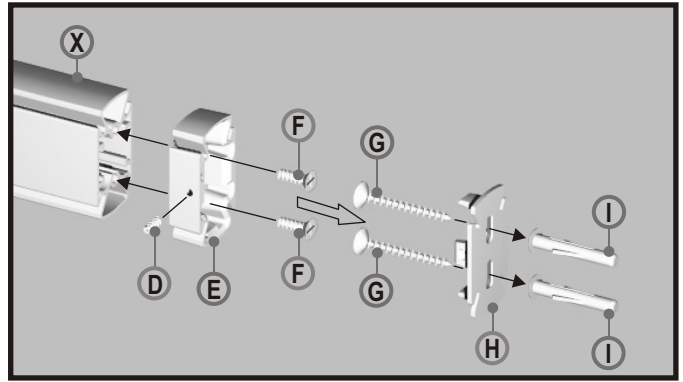


CONTENT ART.3431



- A** Nr.1 chipboard screw Ø4
- B** Nr.1 plastic joint
- C** Nr.1 hexagon socket set screw chamfered Ø5

1. Fasten the screw **C**, on the vertical style to carve a proper thread, deep enough to fix the plastic joint **B** afterwards, than unscrew it.
2. Slide the plastic joint **B** into the vertical style **Y** and screw the hexagon screw **C**. We suggest not to fasten too much but just enough to block the joint **B**.
3. Set the horizontal style **X** on the plastic joint **B** and fix with screw **A**.



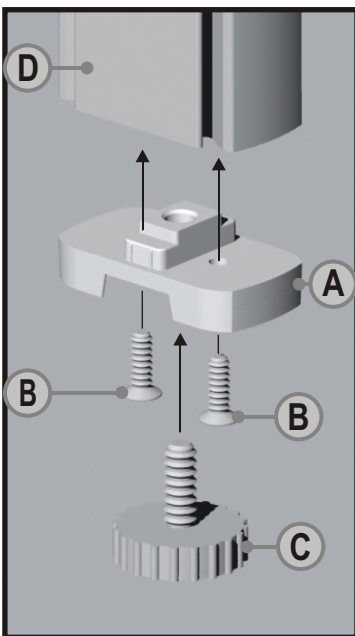
CONTENT ART.3440

- D** Nr.1 Hexagon socket set screw chamfered Ø4
- E** Nr.1 metal intermediate piece
- F** Nr.2 metric screws Ø5
- G** Nr.2 chipboard screws Ø5
- H** Nr.1 zamak wall foot
- I** Nr.2 wall plugs Ø8

FIX THE SYSTEM TO THE WALL ONLY AFTER MOUNTING THE FOOT ART. 3444/3445.

4. Fix the metal intermediate piece **E** to the horizontal style **X** with screws **F**.
5. Drill the wall with a Ø8 bit and insert the wall plug **I**.
6. Fix the wall foot **H** to the wall with screws **G**.
7. Connect the metal intermediate piece **E** with the wall foot **H** and fix them together with screw **D**.

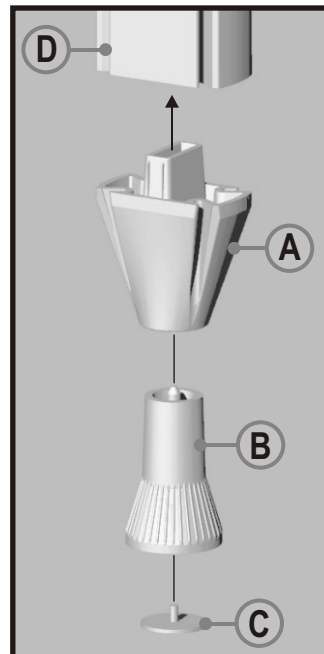
CONTENT ART.3445



- A** Nr.1 metal intermediate foot
- B** Nr.2 Phillips head thread forming screws Ø5
- C** Nr.1 adjustable round foot

1. Insert foot **A** on the vertical style **D** using thread forming screws **B**.
2. Screw adjustable foot **C** under intermediate foot **A**.

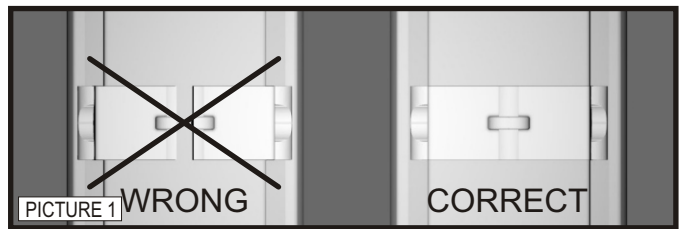
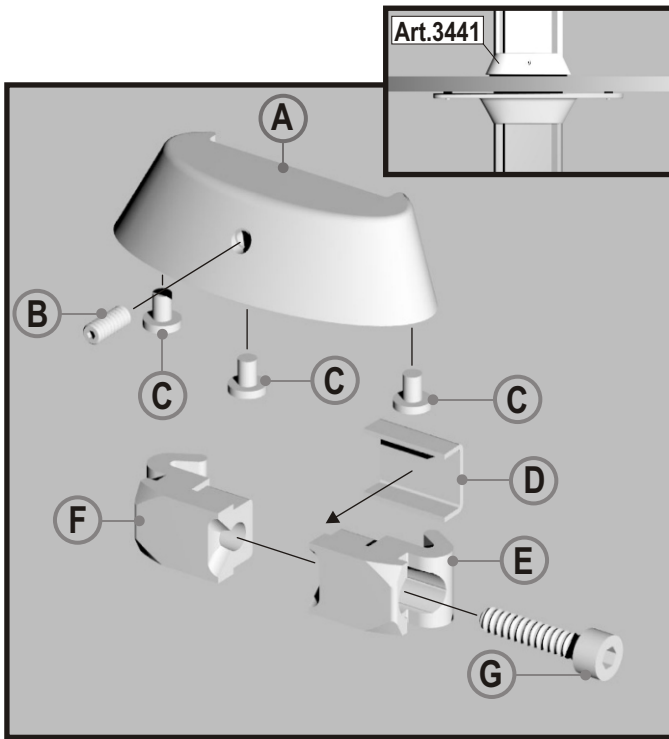
CONTENT ART.3444



- A** Nr.1 metal intermediate foot
- B** Nr.1 adjustable foot
- C** Nr.1 anti-slip gasket

1. Insert anti-slip gasket **C** in the hole on foot **B**.
2. Screw foot **B** on metal intermediate foot **A**.
3. Insert the complete foot on vertical style **D**.

STYL



PICTURE 1

WRONG

CORRECT

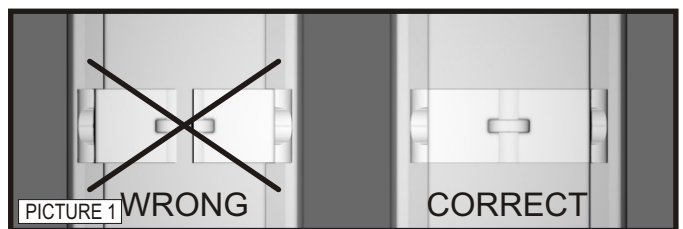
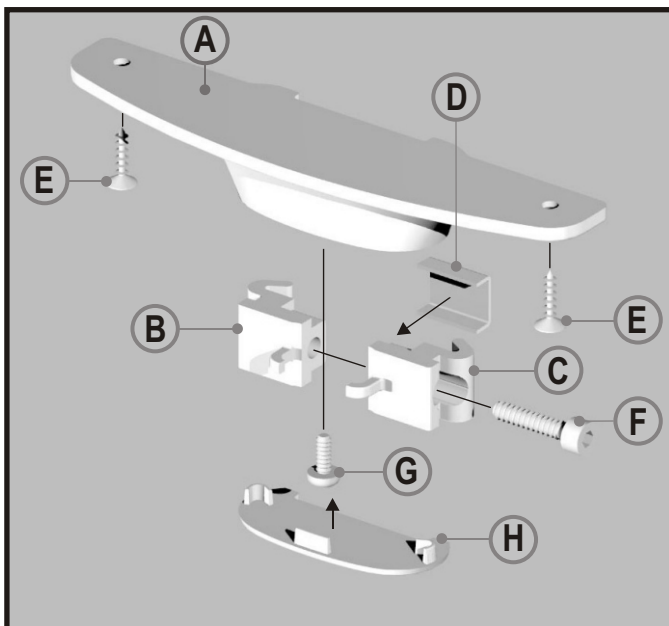
CONTENT **ART.3441**

- (A)** Nr.2 metal caps for glass shelves
- (B)** Nr.2 hexagon socket set screws chamfered Ø4
- (C)** Nr.10 plastic transparent gasket
- (D)** Nr.2 anti-scratch plates
- (E)** Nr.2 clamps with hole
- (F)** Nr.2 clamps with thread
- (G)** Nr.2 cylindric head screws Ø4

IN CASE YOU NEED TO FIX A GLASS SHELF, USE THE TRANSPARENT PLASTIC GASKET **C** (instead of chipboard screws to be used with art. 3443).

1. Insert anti-scratch plate **D** on its seat.
2. Fasten the two clamps **E** and **F** with screw **G** on the vertical style after setting them just over the shelf (or module etc) .
3. Make sure the two clamps (**E** and **F**) are completely closed against each other without opening (see picture 1) .
4. Insert the transparent plastic gaskets **C** into the proper holes of metal cap **A**.
5. Finally insert the metal cap **A** on the clamps **E** and **F**, and fix it with the hexagon socket screw chamfered **B**.

STYL



PICTURE 1

WRONG

CORRECT

CONTENT **ART.3443**

- (A)** Nr.2 metal shelfholder
- (B)** Nr.2 clamps with thread for screw
- (C)** Nr.2 clamps with hole
- (D)** Nr.2 anti-scratch plastic plates
- (E)** Nr.4 chipboard screws Ø3.5
- (F)** Nr.2 hexagon socket head cap screw Ø4
- (G)** Nr.2 Phillips thread forming screws Ø4
- (H)** Nr.2 plastic caps

1. Insert anti-scratch plate **D** on its seat.
2. Fasten the two clamps **B** and **C** with screw **F** on the vertical style after setting them just over the shelf (or module etc)
3. Make sure the two clamps **B** and **C** are completely closed against each other without opening (see picture 1).
4. Insert the shelfholder **A** on the clamps **B** and **C** until completely seated into them and fix it with screw **G**.
5. Close the lower part of the shelfholder using the cap **H**.
6. Finally mount the shelf (or module etc) on the shelfholder **A** and fix it with screws **E**.

